

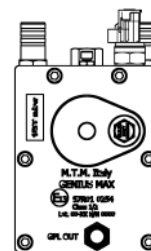
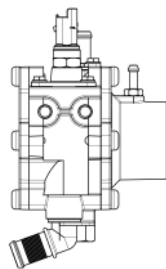
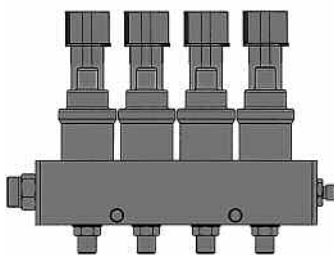
M.T.M. s.r.l.

Via La Morra, 1
12062 - Cherasco (Cn) - Italy
Tel. +39 0172 4860140
Fax +39 0172 488237



installation handbook - 1/3
installation typologies - 2/3
software handbook - 3/3

LPG Sequent 24 MY07 with BRC injectors and Genius MD TH₂O/Genius MAX TH₂O reducer

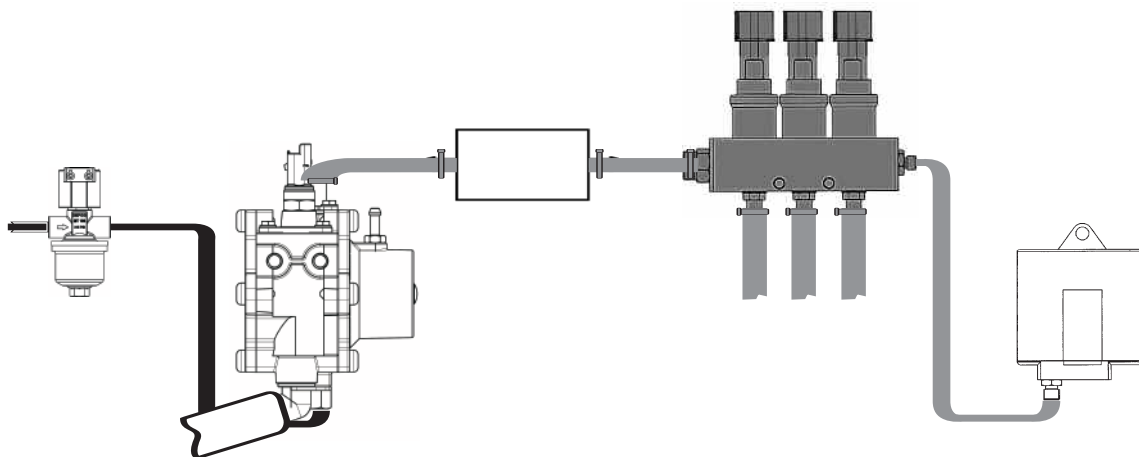




LPG SEQUENT 24MY07 MECHANICAL DIAGRAM ON VEHICLES WITH 3-CYLINDERS

M.D. 1
LPG

Vehicle Type	Gas injectors	Front Kit
3 Cylinders Aspirated	BRC NORMAL	09SQ3000001G Genius MB TH ₂ O 800 mbar Normal WP Solenoid Valve ET98 P1 pressure Sensor
3 Cylinders Supercharged	BRC NORMAL	09SQ3000002G Genius MB TH ₂ O 800 mbar Normal WP Solenoid Valve ET98 P1 pressure Sensor

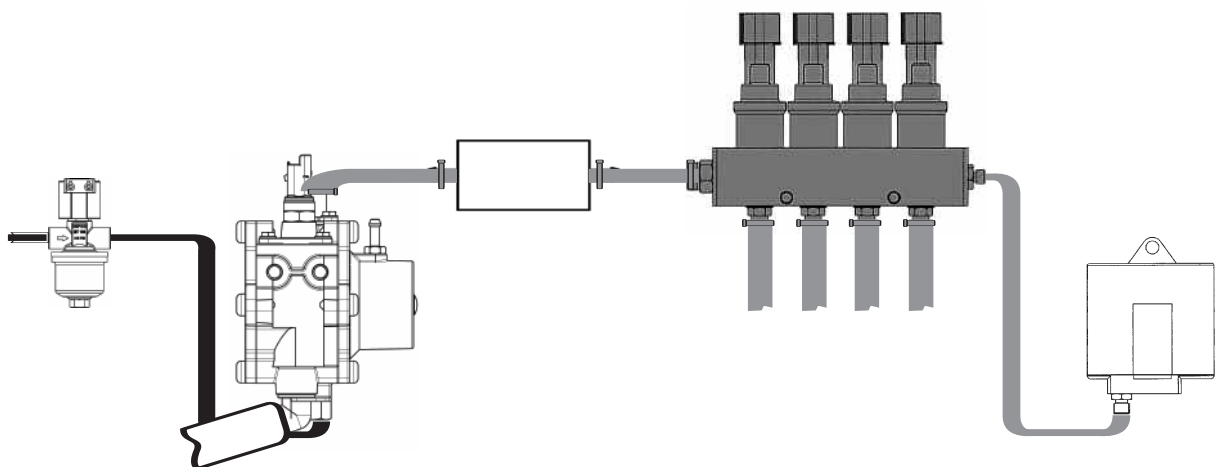




LPG SEQUENT 24MY07 MECHANICAL DIAGRAM ON VEHICLES WITH 4-CYLINDERS

M.D. 2
LPG

Vehicle Type	Gas injectors	Front Kit
4 Cylinders Aspirated power lower than 80 kW	BRC NORMAL	09SQ3000003G Genius MB TH ₂ O 1200 mbar Normal WP Soleniod Valve ET98 P1 pressure Sensor
4 Cylinders Aspirated power included between 80/100 kW	BRC MAX	09SQ3000004G Genius MB TH ₂ O 1200 mbar Normal WP Soleniod Valve ET98 P1 pressure Sensor
4 Cylinders Aspirated power included between 100/120 kW	BRC MAX	09SQ3000005G Genius MB TH ₂ O 1500 mbar Normal WP Soleniod Valve ET98 P1 pressure Sensor
4 Cylinders Aspirated power included between 120/140 kW	BRC SUPER MAX	09SQ30000031G Genius MB TH ₂ O 1500 mbar Super WP Soleniod Valve ET98 P1 pressure Sensor
4 Cylinders Supercharged power lower than 140 kW	BRC MAX	09SQ3000006G Genius MB TH ₂ O 1500 mbar Super WP Soleniod Valve ET98 P1 pressure Sensor
4 Cylinders Aspirated power included between 100/120 kW	BRC MAX	09SQ3000007G Genius MAX TH ₂ O Super WP Soleniod Valve ET98 P1 pressure Sensor
4 Cylinders Aspirated power included between 120/140 kW	BRC SUPER MAX	09SQ30000032G Genius MAX TH ₂ O Super WP Soleniod Valve ET98 P1 pressure Sensor
4 Cylinders Supercharged power lower than 140 kW	BRC MAX	09SQ3000008G Genius MAX TH ₂ O Super WP Soleniod Valve ET98 P1 pressure Sensor
4 Cylinders Supercharged power included between 140/160 kW	BRC SUPER MAX	09SQ30000033G Genius MAX TH ₂ O Super WP Soleniod Valve ET98 P1 pressure Sensor





LPG SEQUENT 24MY07 MECHANICAL DIAGRAM

M.D. 3
LPG

Vehicle Type	Gas injectors	Front Kit
4 Cylinders Boxer Aspirated power lower than 100 kW	BRC MAX	09SQ3000009G Genius MB TH ₂ O 1200 mbar Normal WP Soleniod Valve ET98 P1 pressure Sensor
4 Cilindri Boxer Aspirated power included between 100/120 kW	BRC MAX	09SQ30000010G Genius MB TH ₂ O 1500 mbar Super WP Soleniod Valve ET98 P1 pressure Sensor
4 Cilindri Boxer Aspirated power included between 120/140 kW	BRC SUPER MAX	09SQ30000034G Genius MB TH ₂ O 1500 mbar Super WP Soleniod Valve ET98 P1 pressure Sensor
4 Cylinders Boxer Supercharged power lower than 140 kW	BRC MAX	09SQ30000011G Genius MB TH ₂ O 1500 mbar Super WP Soleniod Valve ET98 P1 pressure Sensor

